

INDUSTRIAL SEWING MACHINES

General Catalog of Industrial Sewing Machines

03.2020 vol.4

Driving a New Era of Sewing Technology



1908



Current

NEXIO

Since its inception in 1908, Brother has been at the forefront of product innovation, dedicated to deliver superior and innovative sewing technology to our customers. While these innovative changes have now become the industry standard, our never-ending spirit of challenge and innovation inherited from our ancestors have helped us surmount many challenges in the marketplace and continue striving for product excellence.

It is with this spirit of pride and dedication that we introduce our new line of NEXIO industrial sewing machines.

This new line of NEXIO is for IoT era of industrial sewing machines with network connectivity that will set a new design standard in the industry.

This new brand name is derived from the words “Next” and “Society,” combining our vision to drive a new era of industry change with continual dedication to innovative product development, as well as our continued company commitment to forging strong customer relationships by being “At your side.”



Always placing the customer opinions as the initiative for value creation

We mirror the viewpoint of customers to create new value along with our highly advanced technologies. Brother keeps on searching for product excellence based on wide range of customer's needs, including accurate and good texture stitching, clean sewing, high energy saving's, low sound/vibration and user-friendly operation.



NEXIO SYSTEM

Brother Industrial Sewing Machine Network System



Get Less Work and More Profit

How to connect

NEXIO Series

Brother's sewing machine "NEXIO series" can connect with the system directly through communication module.



NEXIO series sewing machines

+



Wi-Fi® Communication Module

Other Models

For other sewing machines, just equipping SA panel-mini, it realizes to obtain the machine's data from almost all sewing machines even other brand's machines and old discontinued models.



Almost all sewing machines

+



SA panel-mini

+



Wi-Fi® Communication Module

NEXIO SYSTEM

- Automatically collect data from sewing machines such as single needle, double needle, bar tack, buttonhole, button machine, pattern sewer, and all other sewing machines
- Real-time production management
- Eliminate manual data collection and reporting work
- Even other brand's and old discontinued models can be connected
- Easy to start with minimum investment



Learn more

S-7300A NEXIO

Lock Stitch Sewing Machine

DigiFlex Feed



S-7300A

Single Needle Direct Drive Lock Stitcher with Electronic Feeding System and Thread Trimmer

- Changeable feed motion for various materials
- Reduction of disposition of thread ends (short remaining thread and bird's nest reduction)*
- Clogging at cross-over seam reduction*
- Needle breakage prevention function is adopted
- The new hook enhances sewing capability for wide range materials
- Comfortable feeding
- Reverse sound minimized
- Clean sewing without oil staining
- User-intuitive color LCD with touch panel
- Useful functions are gathered in the hand switches
- USB port is equipped

*Premier specification only

	Direct Drive	Feed	Stitch	Thread trimer	Material thickness sensor	Lubrication type	Max. sewing speed	Max. stitch length	Needle breakage prevention function	Application
S-7300A	<input type="checkbox"/>	DigiFlex Feed	Lock stitch	<input type="checkbox"/>	-	Minimum/ Semi dry	5,000sti/min 4,500sti/min	5mm / 7mm	<input type="checkbox"/>	Medium/ Heavy
S-7300A Premier spec	<input type="checkbox"/>	DigiFlex Feed	Lock stitch	<input type="checkbox"/> (Short remaining thread)	<input type="checkbox"/>	Minimum/ Semi dry	5,000sti/min 4,500sti/min	5mm / 7mm	<input type="checkbox"/>	Medium/ Heavy

S-7250A NEXIO

Lock Stitch Sewing Machine

DigiFlex Feed



S-7250A

Single Needle Direct Drive Lock Stitcher with Electronic Feeding System and Thread Trimmer

- Changeable feed motion for various materials
- Needle breakage prevention function is adopted
- The new hook enhances sewing capability for wide range materials
- Comfortable feeding
- Reverse sound minimized
- Clean sewing without oil staining
- Easy operation with a simple panel
- Useful functions are gathered in the hand switches
- USB port is equipped

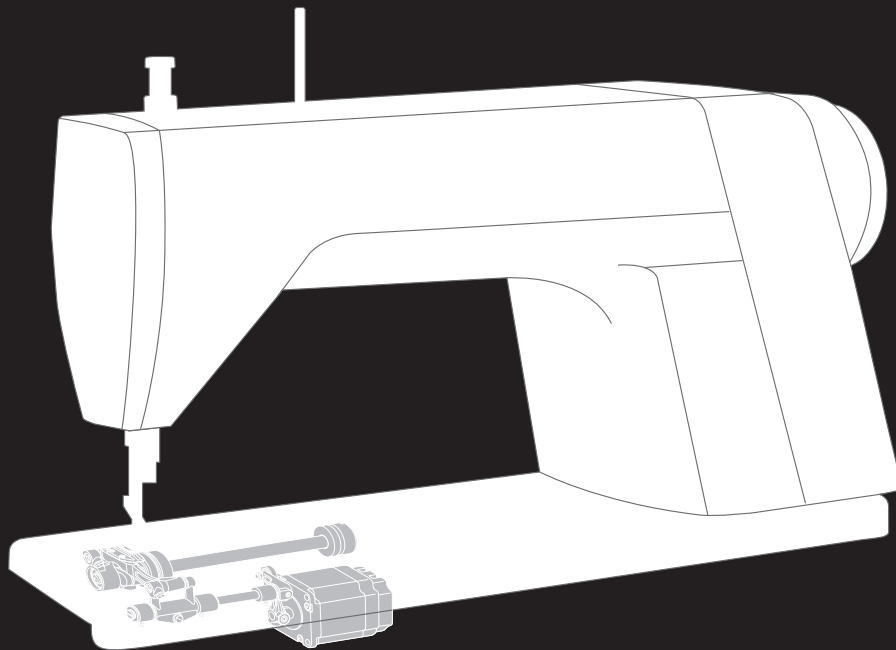
	Direct Drive	Feed	Stitch	Thread trimer	Material thickness sensor	Lubrication type	Max. sewing speed	Max. stitch length	Needle breakage prevention function	Application
S-7250A	<input type="checkbox"/>	DigiFlex Feed	Lock stitch	<input type="checkbox"/>	-	Minimum	5,000sti/min 4,000sti/min	5mm / 7mm	<input type="checkbox"/>	Medium/ Heavy
S-7250A Premier spec	<input type="checkbox"/>	DigiFlex Feed	Lock stitch	<input type="checkbox"/> (Short remaining thread)	-	Minimum	5,000sti/min 4,000sti/min	5mm / 7mm	<input type="checkbox"/>	Medium/ Heavy

DigiFlex Feed

World's first* Electronic Feed Control

DigiFlex Feed, which is world's first equipped on S-7300A, digitalizes feeding system and selects the best feed motion from 4. The feed motion can be changed with one touch of a button to provide the best sewing quality for various materials. It resolves various sewing troubles without adjustment work.

*among the single needle lock stitchers



	Feed motion image	Main features
Standard Oval feed		Reduced material slippage
DigiFlex Feed No.1 Front rise feed		Improved thread tightening
DigiFlex Feed No.2 Back rise feed		Reduced puckering
DigiFlex Feed No.3 Rectangular feed		Less needle breakages

S-7220D NEXIO S-7780A NEXIO DigiFlex Feed SL-777B

Lock Stitch
Sewing Machine



S-7220D



S-7780A



SL-777B

S-7220D

Single Needle Direct Drive
Needle Feed Lock Stitcher
with Thread Trimmer

- The needle feed mechanism prevents uneven material feeding
- Clean sewing with no oil staining
- Smooth sewing with direct drive system
- High energy saving

S-7780A

Single Needle Direct Drive Lock
Stitcher with Side Cutter, Electronic
Feeding System and Thread Trimmer

- The side cutter cuts the material end while sewing

SL-777B

Single Needle Straight Lock
Stitcher with Side Cutter

- The side cutter cuts the material end while sewing

	Direct Drive	Feed	Stitch	Thread trimmer	Side cutter	Lubrication type	Max. sewing speed	Max. stitch length	Needle breakage prevention function	Application
S-7220D	<input type="radio"/>	Needle feed	Lock stitch	<input type="radio"/>	-	Minimum	5,000sti/min / 4,000sti/min	4.5mm / 5.5mm	<input type="radio"/>	Medium/Heavy
S-7780A	<input type="radio"/>	DigiFlex Feed	Lock stitch	<input type="radio"/>	<input type="radio"/>	Minimum	4,500sti/min	4.0mm	<input type="radio"/>	Medium
SL-777B	<input type="radio"/>	Bottom feed	Lock stitch	-	<input type="radio"/>	Minimum	4,500sti/min	4.0mm	-	Medium

*The stitch length is 2.0mm or below.

Z-8550B NEXIO Z-8560B NEXIO

Zigzag Lock Stitch Sewing Machine



Z-8560B

Z-8550B

Electronic Direct Drive Zigzag
Lock Stitcher

- Clean sewing with no oil staining
- High energy saving
- Wide-variety pattern sewing is available

Z-8560B

Electronic Direct Drive Zigzag
Lock Stitcher with Thread Trimmer

- The compact knife mechanism in a single unit enables simple maintenance
- Clean sewing with no oil staining
- High energy saving
- Wide-variety pattern sewing is available

	Direct drive	Feed	Stitch	Thread trimmer	Lubrication type	Max. sewing speed	Application
Z-8550B	<input type="radio"/>	Bottom feed	Zigzag	-	Semi dry	5,000sti/min	Light/Medium
Z-8560B	<input type="radio"/>	Bottom feed	Zigzag	<input type="radio"/>	Semi dry	5,000sti/min	Light/Medium

T-8421D / T-8422D / T-8722D NEXIO T-8420C / T-8720C

Twin Needle Lock Stitch
Sewing Machine



T-8422D

	Direct Drive	Feed	Stitch	Hook	Thread trimmer	Lubrication type	Max. sewing speed	Max. stitch length	Needle breakage prevention function	Quick back device	Application
T-8421D	<input type="radio"/>	Bottom, Needle	Lock stitch	Standard	-	Minimum/Semi dry	4,000sti/min / 3,000sti/min	4mm	<input type="radio"/>	<input type="radio"/>	Foundation/Light, Medium/Heavy
T-8422D	<input type="radio"/>	Bottom, Needle	Lock stitch	Standard	Rocking / Straight	Minimum	4,000sti/min / 3,000sti/min	4mm / 5mm	<input type="radio"/>	<input type="radio"/>	Foundation/Light, Medium
T-8722D	<input type="radio"/>	Bottom*, Needle	Lock stitch	Double(1.8)	Rocking / Straight	Minimum	3,000sti/min	7mm	<input type="radio"/>	<input type="radio"/>	Heavy/Heavy (for extra thick thread)
T-8420C	-	Bottom, Needle	Lock stitch	Standard	-	Minimum	4,000sti/min / 3,000sti/min	4mm / 5mm	-	-	Foundation/Light, Medium/Heavy
T-8720C	-	Bottom*, Needle	Lock stitch	Double(1.8)	-	Minimum	3,000sti/min	7mm	-	-	Heavy

*Max. stitch length is limited. *Depending on the market, the availability of thread trimming specification is different.

T-8421D

Twin Needle Direct Drive Lock Stitcher

- Direct drive / no thread trimmer type
The most suitable model for sewing of foundation garments
- Clean sewing with no oil staining

T-8422D

Twin Needle Direct Drive Lock Stitcher with Thread Trimmer

- Stable thread trimmer operation enables high productivity
- Clean sewing with no oil staining

T-8722D

Twin Needle Direct Drive Stitcher with Large Hook and Thread Trimmer

- Stable thread trimmer operation and large hook provide high productivity
- Clean sewing with no oil staining

T-8420C

Twin Needle Lock Stitcher

- High position of arm jaw and large arm pocket make handling material easier
- Easy to replace gauge parts

T-8720C

Twin Needle Lock Stitcher with Large Hook

- High position of arm jaw and large arm pocket make handling material easier
- Easy to replace gauge parts

T-8452D / T-8752D NEXIO T-8450C / T-8750C

Twin Needle Split Needle Bar Lock Stitch Sewing Machine



T-8452D

	Direct Drive	Feed	Stitch	Hook	Thread trimmer	Lubrication type	Max. sewing speed	Max. stitch length	Needle breakage prevention function	Quick back device	Application
T-8452D	<input type="radio"/>	Bottom, Needle	Lock, Split needle bar	Standard	Rocking / Straight	Minimum	3,000sti/min	5mm	<input type="radio"/>	<input type="radio"/>	Light, Medium/Heavy/Heavy (for extra thick thread)
T-8752D	<input type="radio"/>	Bottom*, Needle	Lock, Split needle bar	Double(1.8)	Rocking / Straight	Minimum	3,000sti/min	7mm	<input type="radio"/>	<input type="radio"/>	Light, Medium/Heavy/Heavy (for extra thick thread)
T-8450C	-	Bottom, Needle	Lock, Split needle bar	Standard	-	Minimum	3,000sti/min	5mm	-	-	Light, Medium/Heavy
T-8750C	-	Bottom*, Needle	Lock, Split needle bar	Double(1.8)	-	Minimum	3,000sti/min	7mm	-	-	Heavy

*Max. stitch length is limited. *Depending on the market, the availability of thread trimming specification is different.

T-8452D

Twin Needle Direct Drive Split Needle Bar Lock Stitcher with Thread Trimmer

- Stable thread trimmer operation enables high productivity
- Clean sewing with no oil staining

T-8752D

Twin Needle Direct Drive Split Needle Bar Lock Stitcher with Large Hook and Thread Trimmer

- Stable thread trimmer operation and large hook provide high productivity
- Clean sewing with no oil staining

T-8450C

Twin Needle Split Needle Bar Lock Stitcher

- High position of arm jaw and large arm pocket make handling material easier
- Easy to replace gauge parts

T-8750C

Twin Needle Split Needle Bar Lock Stitcher with Large Hook

- High position of arm jaw and large arm pocket make handling material easier
- Easy to replace gauge parts

KE-430HX/HS NEXIO

Bar Tacking Machine



KE-430HX

Electronic Direct Drive Lockstitch Bar Tacker (Short Remaining Thread Spec.)

- Productivity improvement by world's top-class sewing speed and needle cooler
- Reduction of disposition of threads ends (short remaining thread)
- Beautiful and highly-reproducible sewing quality by digital tension
- Superior usability as everyone can use easily and reliability
- Clean sewing with semi-dry type

KE-430HS

Electronic Direct Drive Lockstitch Bar Tacker (Short Remaining Thread Spec.)

- Productivity improvement by world's top-class sewing speed
- Reduction of disposition of threads ends (short remaining thread)
- Beautiful sewing quality
- Superior usability as everyone can use easily and reliability
- Clean sewing with minimum lubrication

	Direct drive	Stitch	Sewing area	Thread trimmer	Lubrication type	Max. sewing speed	Digital tension	Needle cooler	Application
KE-430HX	<input type="radio"/>	Lock	40mm x 30mm*	<input type="radio"/> (Short remaining thread)	Semi dry	3,300st/min	<input type="radio"/>	<input type="radio"/>	Light/Medium/ Heavy/Knitted
KE-430HS	<input type="radio"/>	Lock	40mm x 30mm*	<input type="radio"/> (Short remaining thread)	Minimum	3,300st/min	-	-	Light/Medium

*It can be expanded to 50x40mm as option

BE-438HX/HS NEXIO

Button Attaching Machine



BE-438HX

Electronic Direct Drive Lockstitch Button Sewer (Short Remaining Thread Spec.)

- Set button smoothly
- Productivity improvement by world's top-class sewing speed
- Reduction of disposition of threads ends (short remaining thread)
- Beautiful and highly-reproducible sewing quality by digital tension
- Superior usability as everyone can use easily and reliability
- Clean sewing with semi-dry type

BE-438HS

Electronic Direct Drive Lockstitch Button Sewer (Short Remaining Thread Spec.)

- Set button smoothly
- Productivity improvement by world's top-class sewing speed
- Reduction of disposition of threads ends (short remaining thread)
- Beautiful sewing quality
- Superior usability as everyone can use easily and reliability
- Clean sewing with minimum lubrication

	Direct drive	Stitch	Sewing area	Thread trimmer	Lubrication type	Max. sewing speed	Digital tension	Application
BE-438HX	<input type="radio"/>	Lock	6.4mm x 6.4mm	<input type="radio"/> (Short remaining thread)	Semi dry	2,800st/min	<input type="radio"/>	Button attaching
BE-438HS	<input type="radio"/>	Lock	6.4mm x 6.4mm	<input type="radio"/> (Short remaining thread)	Minimum	2,800st/min	-	Button attaching

HE-800C NEXIO

Buttonhole Sewing Machine



HE-800C

Electronic Direct Drive Lockstitch Button Holer

- High productivity with double cut
- Reduction of disposition of threads ends (short remaining thread)
- New hook enhances sewing quality
- Easy for difficult-to-sew materials with underlay

	Direct drive	Stitch	Button hole	Thread trimmer	Max. sewing speed	Application
HE-800C	○	Lock	Straight buttonhole	○ (Short remaining thread)	4,000sti/min	Cloth/Knit

RH-9820

Buttonhole Sewing Machine



RH-9820

Electronic Eyelet Button Holer

- Max. sewing speed 2,500 sti/min improves productivity
- Fine finishing of button holes
- Large arm pocket allowing smooth material handling
- Easy-to-use operation panel
- Clean sewing without oil staining

	Direct drive	Stitch	Button hole	Thread trimmer	Max. sewing speed	Application
RH-9820	-	Double chain	Eyelet buttonhole	○	2,500sti/min	Men's/Ladies/ Casual/Jeans/Trouser

BAS-H Series NEXIO

BAS-311HN / BAS-326H /

BAS-326H-484·484SF /

BAS-341H / BAS-342H

Programmable Electronic Pattern Sewing Machine



BAS-342H



BAS-311HN



BAS-326H



BAS-326H-484



BAS-341H

BAS-H Series

Direct Drive Programmable Electronic Pattern Sewer with Cylinder Bed

BAS-311HN / BAS-326H / BAS-341H / BAS-342H

- Attractive sewing accurate to the sewing data
- High stiffness feed mechanism
- High productivity with max. sewing speed of 2,800sti/min
- Large screen LCD touch panel with programming functions

BAS-326H-484/484SF

- Treble hook equipped, reducing the frequency of bobbin changes
- Accurate and stout sewing

	Feed	Hook	Sewing Area	Machine head	Max. sewing speed	Max. stitch length	Air consumption	Quick back device	Application
BAS-311HN	Intermittent (pulse motor)	Double capacity hook	150mm x 100mm	Arm bed	2,800sti/min	0.05-12.7mm	1.8l/min	○	Medium/Heavy/ Seat belt
BAS-326H	Intermittent (pulse motor)	Double capacity hook	220mm x 100mm	Arm bed	2,800sti/min	0.05-12.7mm	1.8l/min	○	Medium/Heavy/ Seat belt
BAS-326H-484 / 484SF	Intermittent (pulse motor)	Treble hook	220mm x 100mm	Arm bed	2,800sti/min	0.05-12.7mm	1.8l/min	○	Heavy/Seat belt
BAS-341H	Intermittent (pulse motor)	Double capacity hook	250mm x 160mm	Arm bed	2,800sti/min	0.05-12.7mm	1.8l/min	○	Heavy/Airbags
BAS-342H	Intermittent (pulse motor)	Double capacity hook	300mm x 200mm	Arm bed	2,800sti/min	0.05-12.7mm	1.8l/min	○	Heavy/Airbags

BAS-H Series NEXIO

**BAS-360H / BAS-365H /
BAS-370H / BAS-375H**

Bridge Type Programmable Electronic Pattern Sewing Machine



BAS-375H



BAS-370H



BAS-365H



BAS-360H

BAS-H Series

Bridge Type Programmable
Electronic Pattern Sewer
BAS-360H / BAS-365H /
BAS-370H / BAS-375H

- Improved productivity, superior quality, a space saving design, and a large sewing area
- Productivity improvement by IoT
- New digital tension allows for a wide variety of threads to be sewn
- User-friendly color LCD with touch panel display
- For use with various types of sewing applications such as shoes, airbags, car sheet, etc.

	Feed	Hook	Sewing Area	Machine head	Max. sewing speed	Max. stitch length	Air consumption	Digital tension	Needle cooler	Application
BAS-360H	Intermittent (pulse motor)	Double capacity hook	500mm x 400mm	Bridge	2,700st/min	0.05mm-20.0mm	8l/min*	<input type="radio"/>	<input type="radio"/>	Heavy/Shoes/Bag
BAS-365H	Intermittent (pulse motor)	Double capacity hook	700mm x 400mm	Bridge	2,700st/min	0.05mm-20.0mm	8l/min*	<input type="radio"/>	<input type="radio"/>	Heavy/Shoes/Bag
BAS-370H	Intermittent (pulse motor)	Double capacity hook	700mm x 700mm	Bridge	2,500st/min	0.05mm-20.0mm	8l/min*	<input type="radio"/>	<input type="radio"/>	Heavy/Shoes/Bag/Airbags/Car sheet
BAS-375H	Intermittent (pulse motor)	Double capacity hook	1200mm x 700mm	Bridge	2,500st/min	0.05mm-20.0mm	8l/min*	<input type="radio"/>	<input type="radio"/>	Heavy/Shoes/Bag/Airbags/Car sheet

*When needle cooler turns on

DA-927A DA-928A

Double Chain Stitch Sewing Machine



DA-928A

DA-927A

Twin Needle Feed Off the Arm Double Chain Stitcher

- Sew attractive balloon stitches onto thin materials without puckering

DA-928A

Twin Needle / Three Needle Feed Off the Arm Double Chain Stitcher

- A tractor-type presser foot can be used to easily ride over thick sections

	Stitch	No. of needles	Max. sewing speed	Max. stitch length	Application
DA-927A	Double chain stitch	2	4,000sti/min	3.8mm	Light/Medium
DA-928A	Double chain stitch	2 / 3	4,000sti/min	4.7mm	Heavy/Extra heavy

PS-300B Software



PS-300B

Sewing Data Programming Software

- Your original sewing patterns can be created enhancing the product's value
- Sewing pattern data can easily be modified
It reduces the time for resizing and correcting
- Sewing pattern data for existing models and external data can also be used

Main function :

Creating, editing, setting and converting of sewing data
File input/output, data

Brother GT/ISM Support App

It provides you the latest support information



Brother GT/ISM Support App

- Set up guide, user's manual, regular maintenance movies, and parts list (Parts book) for regular maintenance/repair is available for download/view.
- Search from error code and key words improves work efficiency.



It links to "Apple Store".



It links to "Google Play".



Further Information

Online solutions for the latest information

Facebook



www.facebook.com/brotherindustrialsewing/



Newsletter



industrialsewingmachine.global.brother/en-emea/about-brother/bimh/newsletter/index



Youtube



www.youtube.com/user/Brotherindustrial



INDUSTRIAL SEWING MACHINES BUSINESS GLOBAL NETWORK

Brother offers products and services that meet the needs of customers
all over the world through our global network



BROTHER INDUSTRIES, LTD.

Japan

Group Headquarters
BROTHER INDUSTRIES, LTD.

Asia / Oceania

Manufacturing Facilities
BROTHER MACHINERY XIAN CO., LTD.
BROTHER MACHINERY VIETNAM CO., LTD.

Sales / Service Facilities
BROTHER MACHINERY SHANGHAI LTD.
(Shanghai, Beijing, Qingdao, Dalian, Hangzhou, Ningbo, Changzhou, Wenzhou, Dongguan, Fujian, Wuhan, Hefei, Zhengzhou)

BROTHER MACHINERY (ASIA) LIMITED
(Hong Kong SAR, China)

BROTHER INTERNATIONAL (VIETNAM) CO., LTD.
(Ho Chi Minh, Hanoi, Da Nang)

BROTHER INTERNATIONAL SINGAPORE PTE LTD.
(Singapore)

BROTHER INTERNATIONAL (INDIA) PVT. LTD.
(Delhi, Bangalore)

BROTHER INTERNATIONAL SINGAPORE PTE LTD.
DHAKA LIAISON OFFICE
(DHAKA)

The Americas

Sales / Service Facilities
BROTHER INTERNATIONAL CORPORATION
(New Jersey, Tennessee)

BROTHER INTERNATIONAL DE CHILE LTDA.
BROTHER INTERNATIONAL CORPORATION ARGENTINA S.R.L.

Europe / Middle East / Africa

Sales / Service Facilities
BROTHER INTERNATIONALE INDUSTRIEMASCHINEN G.m.b.H.
BROTHER INTERNATIONALE INDUSTRIEMASCHINEN G.m.b.H. (Italian Branch)

Please read instruction manual before using the machine for safety operation.
-Product specifications are subject to change for improvement without notice.
-Photographs are for illustration purpose. They may not represent actual operating conditions and may display optional parts.



Working with you for a better environment
www.brotherearth.com

CHINA	BROTHER MACHINERY SHANGHAI LTD.	https://www.brother.cn/	+86-21-3135-3355
ASIA	BROTHER MACHINERY (ASIA) LTD.	https://ism.global.brother/en-ap/	+852-2777-0010
EUROPE AFRICA, MIDDLE EAST	BROTHER INTERNATIONALE INDUSTRIEMASCHINEN GmbH	https://ism.global.brother/en-emea/	+49-2822-6090
AMERICAS	BROTHER INTERNATIONAL CORPORATION	https://www.brother-usa.com/	+1-908-704-1700



BROTHER INDUSTRIES, LTD.

1-5, Kitajizoyama, Noda-cho, Kariya-shi, Aichi 448-0803, Japan.
Phone: 81-566-95-0088 Fax: 81-566-25-3721 <https://www.brother.co.jp/>